



# Concrete Products

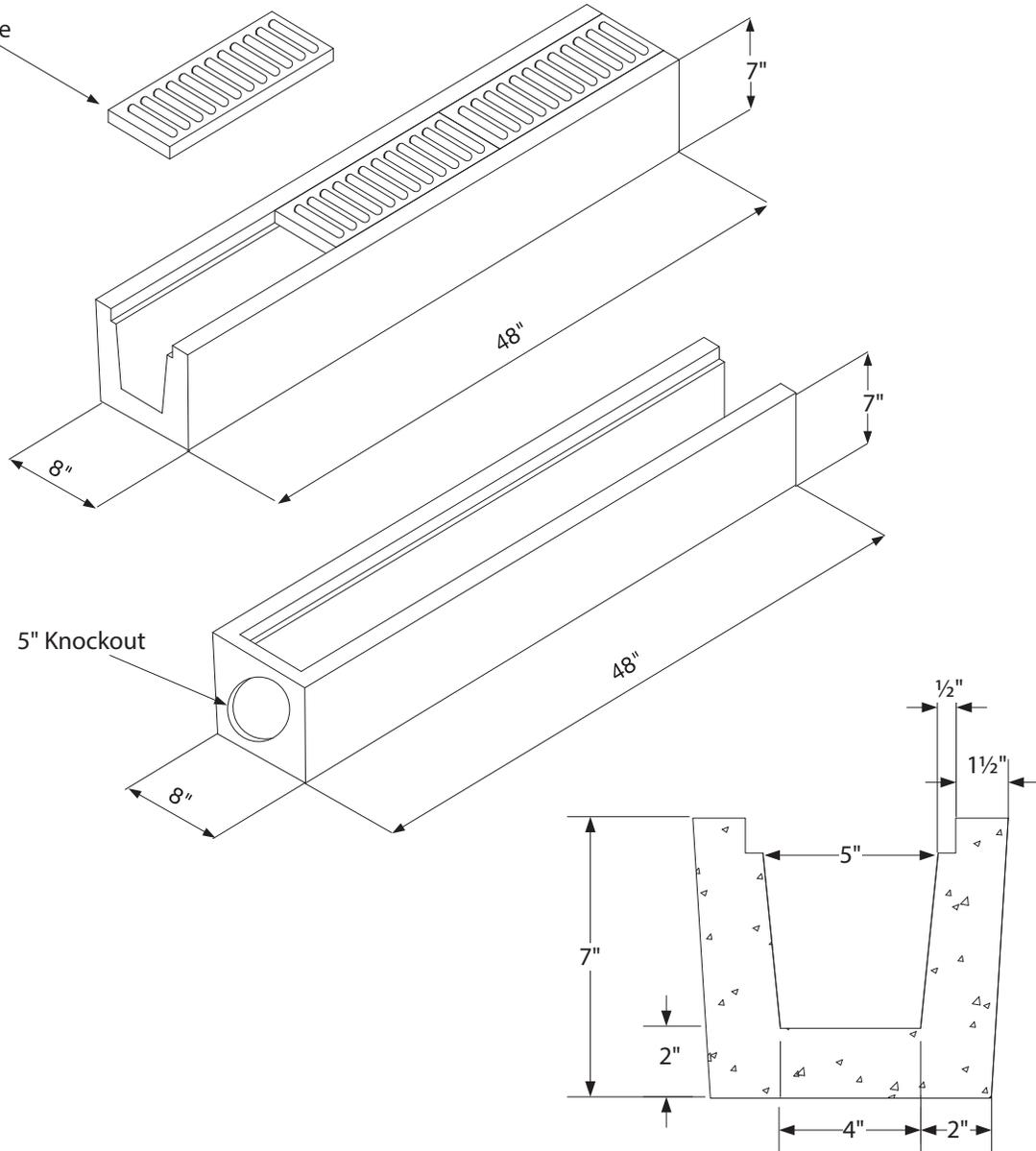
## Trench Drain

### Item Details

- 10 gauge 6" x 6" wire mesh reinforcing

6" x 16" x 1"

Cast Iron Grate



End View

Note: Drawings not to scale

[www.shopeconcrete.com](http://www.shopeconcrete.com)

1-800-422-7560 [TOLL FREE]



Shope Concrete, LLC  
1618 East Main Avenue  
Puyallup, WA 98372-3142

(253) 848-1551  
Fax Line 1 (253) 845-0292  
Fax Line 2 (253) 864-6172

